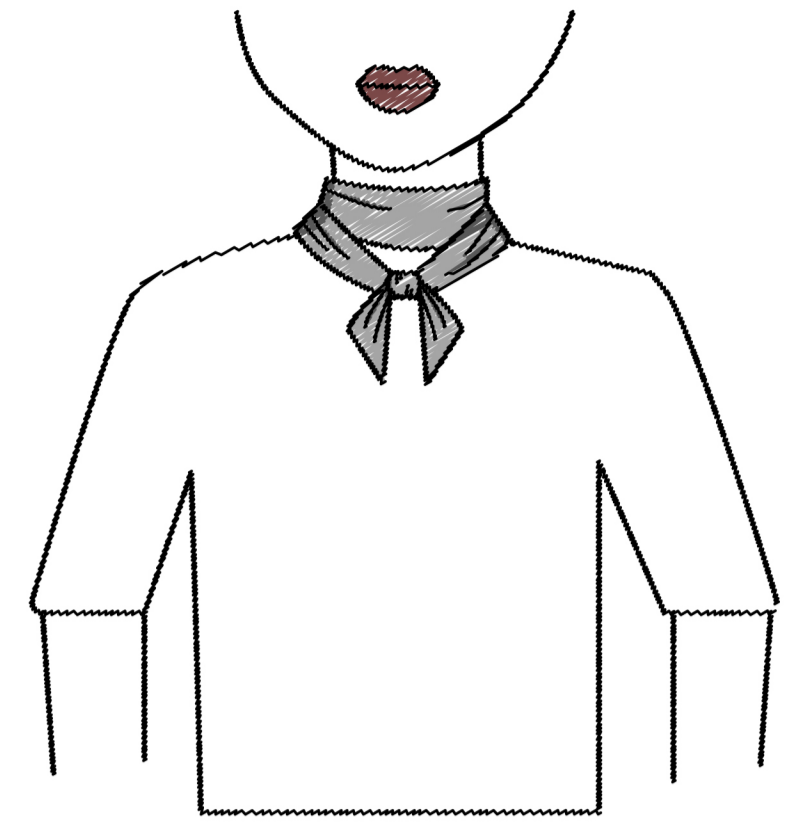
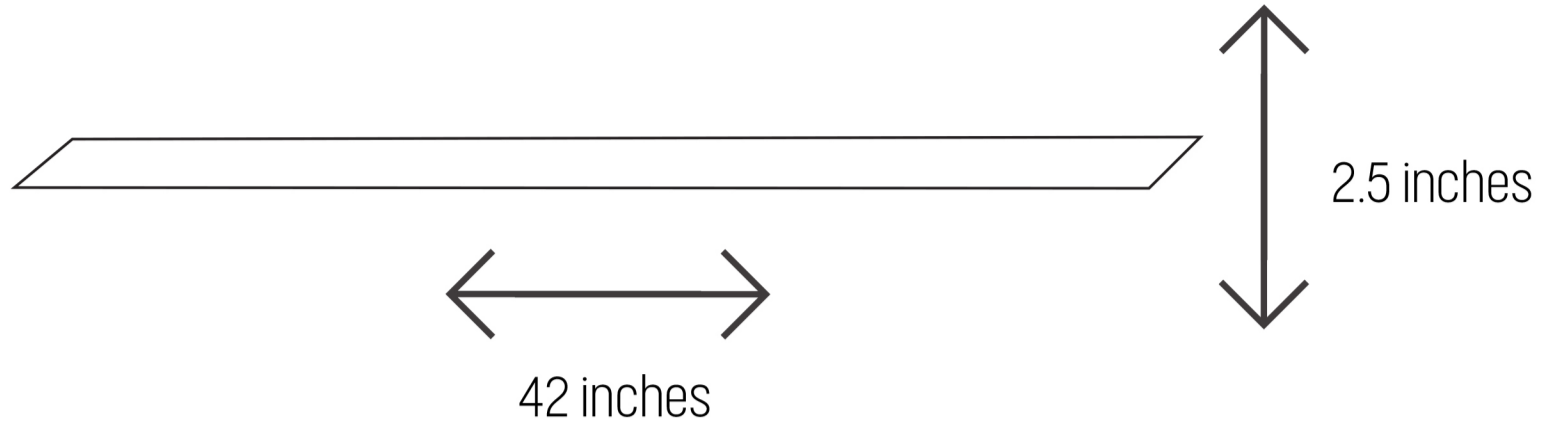


# Collection #2: The Classics

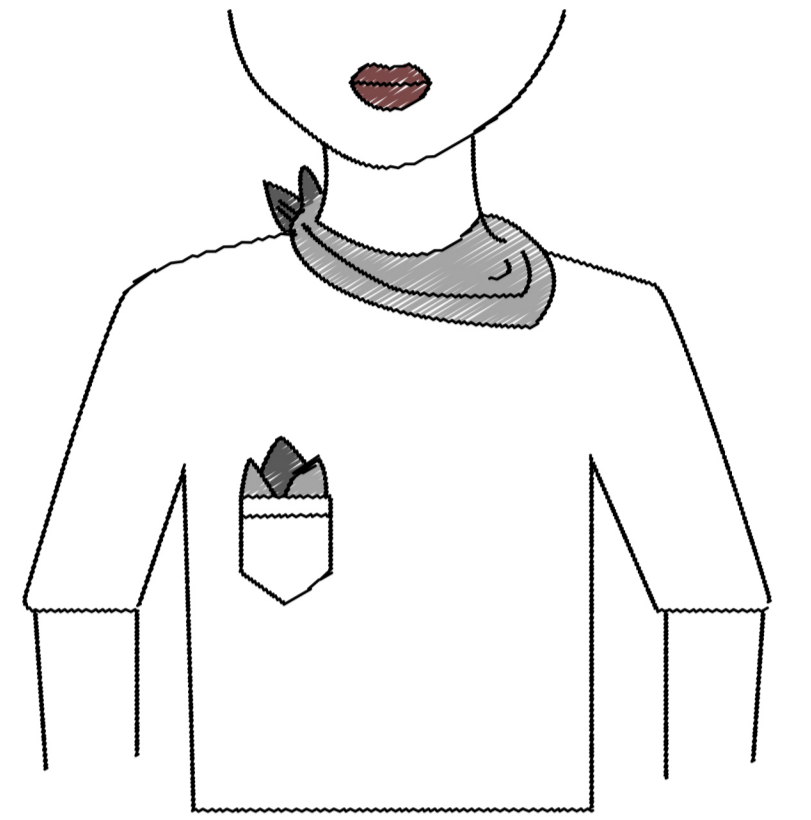
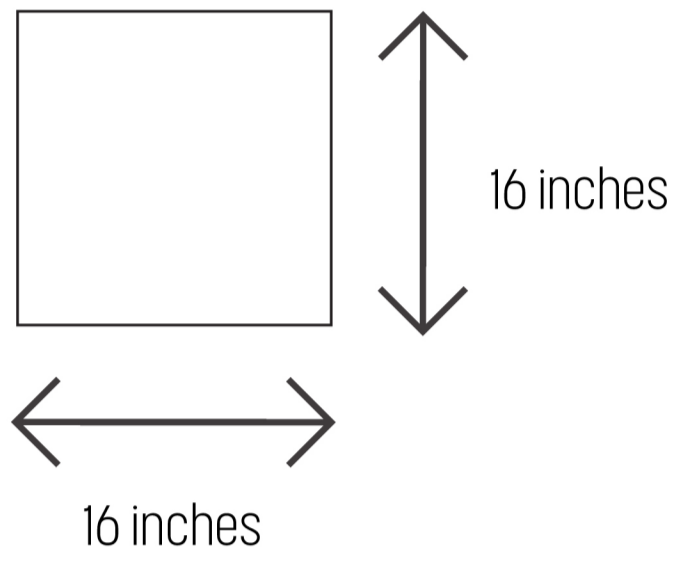
**The Twilly Scarf** (TW) 42x 2.5 inches

**Silk Twill** \$35



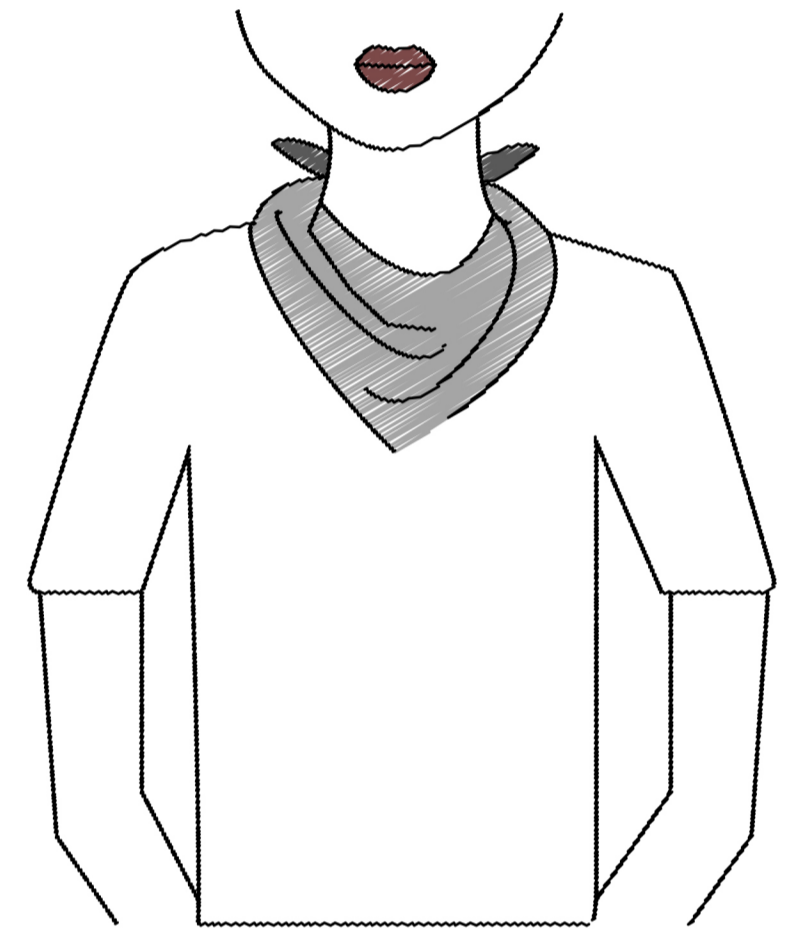
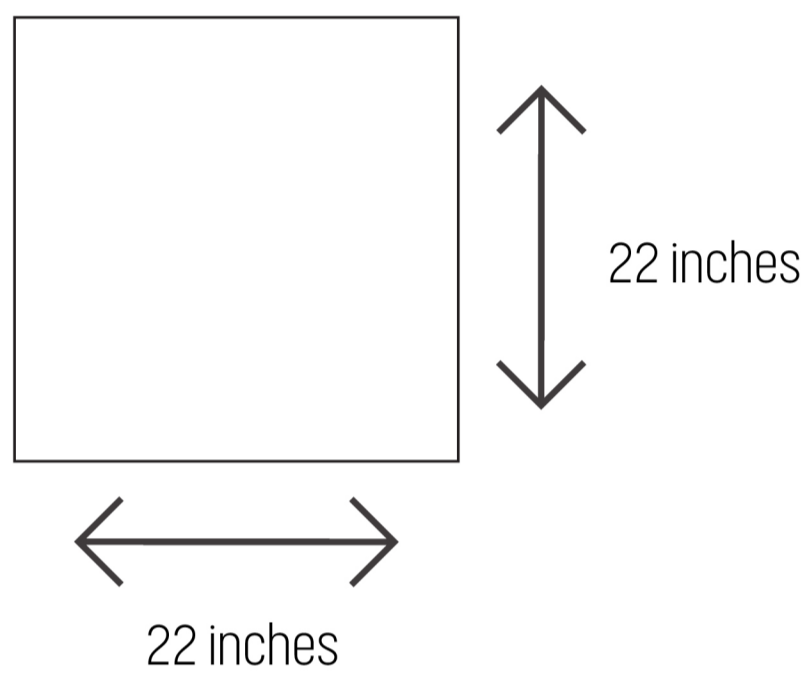
**The Handkerchief Scarf** (XS) 16x16 inches

**Silk Twill** \$45



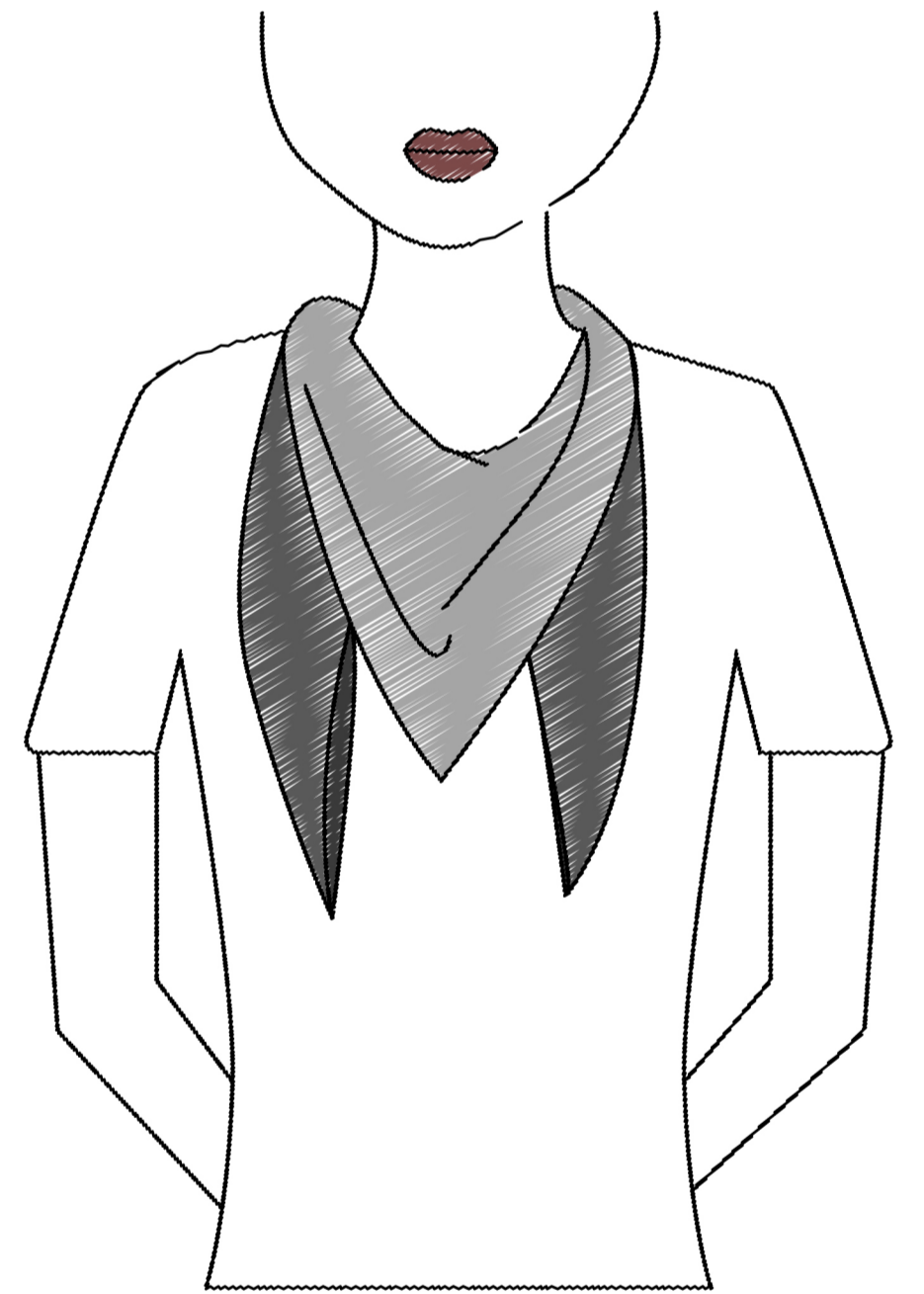
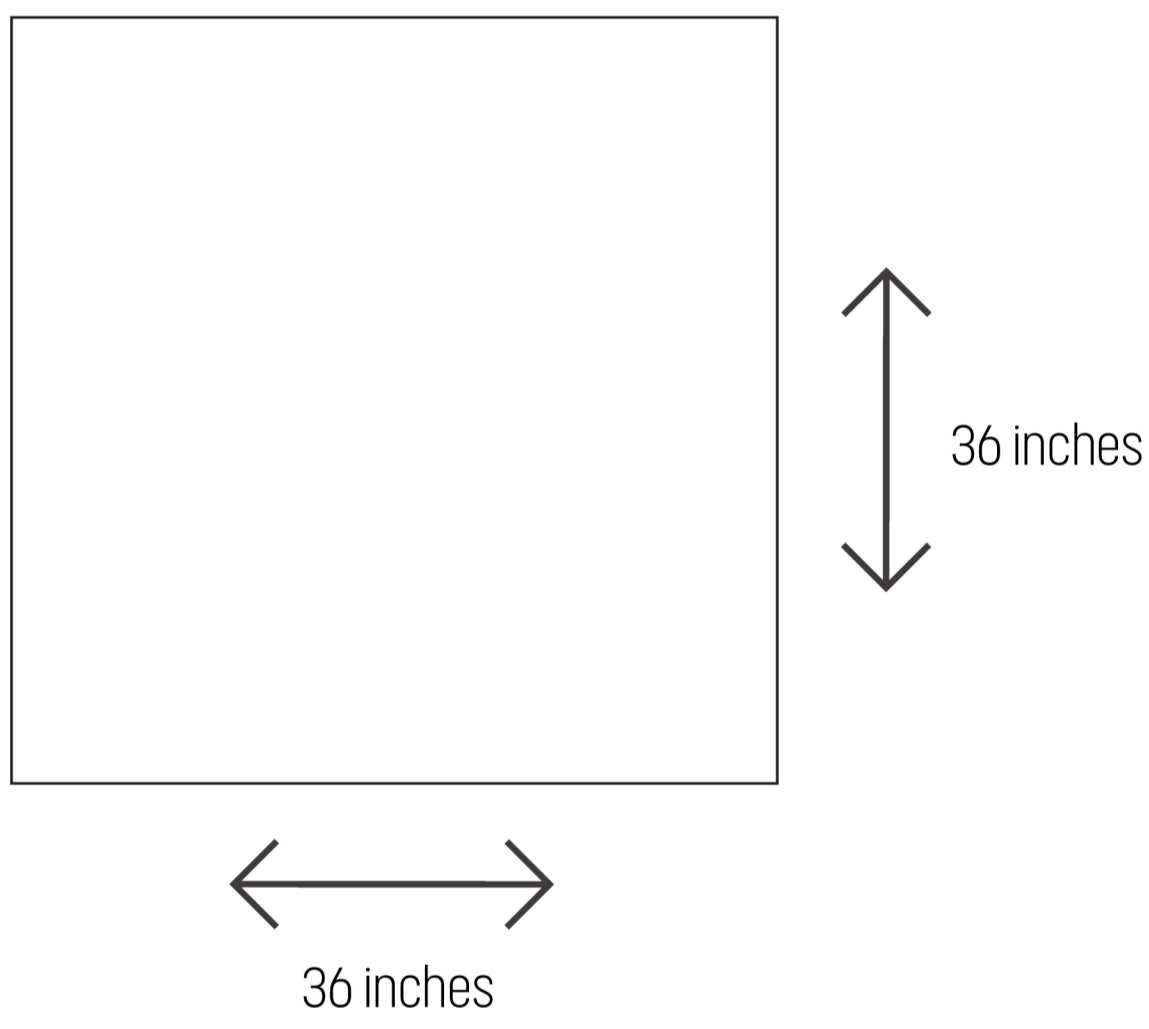
**The Bandana Scarf** (S) 22x22 inches

**Silk Twill** \$60



**The Hermes Scarf** (M) 36x36 inches

**Silk Twill** \$140



**The Wool Scarf** (XL) 52 x 52 inches

**Silk Wool** \$150

